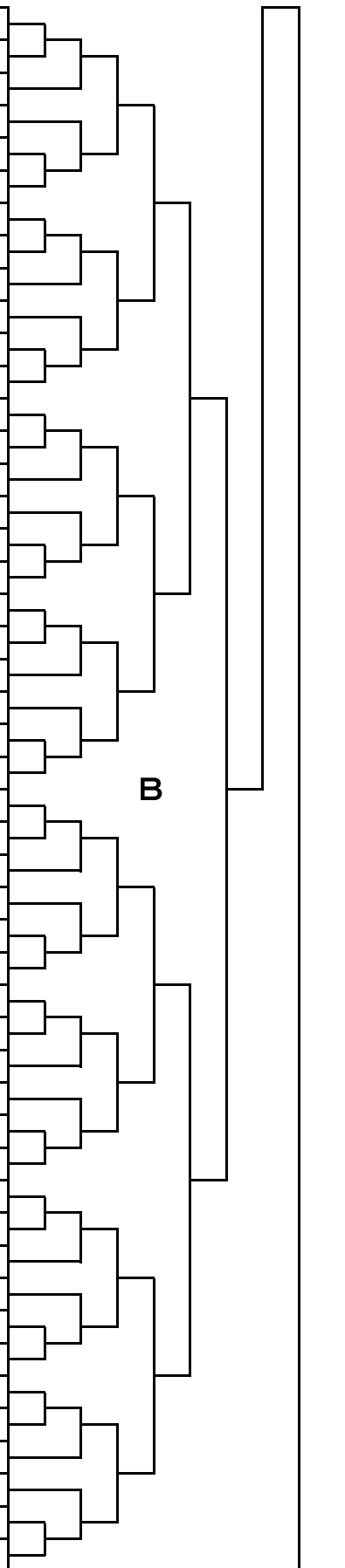


## The 11th World Open Karate Championship Draw

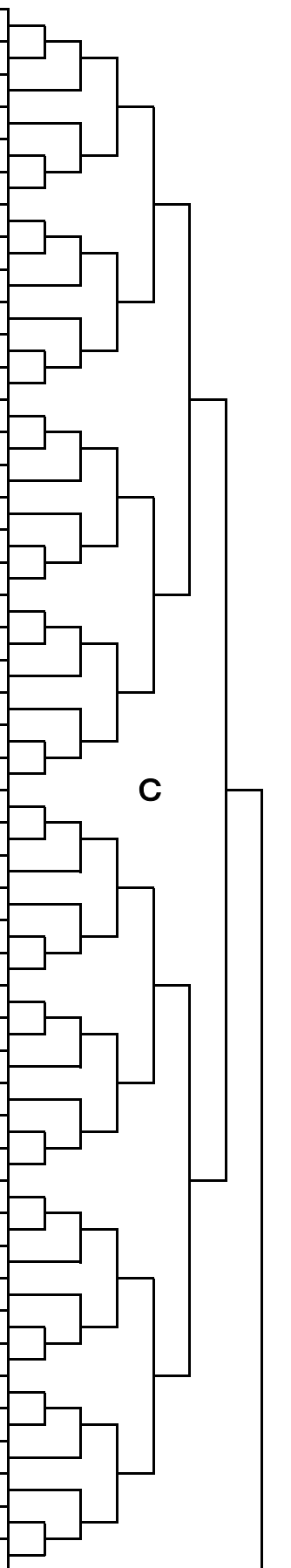
| Zekken | Branch       | Name                            | Height | Weight | Dan<br>Kyu | Age |  |
|--------|--------------|---------------------------------|--------|--------|------------|-----|--|
| 1      | JAPAN        | Shoki Arata                     | 183    | 103    | 1Dan       | 28  |  |
| 2      | HUNGARY      | Bela Kaszala                    | 182    | 83     | 1Kyu       | 29  |  |
| 3      | CHINA        | Jun Hao Dai                     | 179    | 70     | 3Dan       | 33  |  |
| 4      | ROMANIA      | Alexandru Filip                 | 180    | 78     | 1Dan       | 30  |  |
| 5      | ARGENTINA    | Paulo Zuleta                    | 185    | 93     | 1Dan       | 24  |  |
| 6      | RUSSIA       | Andrei Zuborev                  | 177    | 79     | 1Kyu       | 25  |  |
| 7      | UKRAINE      | Peshenko Mykyta                 | 186    | 78     | 2Dan       | 20  |  |
| 8      | CHILE        | Jose Davalos                    | 174    | 88     | 1Kyu       | 30  |  |
| 9      | POLAND       | Damian Galinski                 | 190    | 102    | 1Kyu       | 24  |  |
| 10     | NEW ZEALAND  | Lucas Mckinnon                  | 186    | 125    | 1Kyu       | 31  |  |
| 11     | SOUTH AFRICA | Andile Mancu                    | 172    | 76     | 1Kyu       | 23  |  |
| 12     | RUSSIA       | Kirill Psarev                   | 175    | 65     | 1Dan       | 20  |  |
| 13     | RUSSIA       | Andrei Luzin                    | 186    | 80     | 1Dan       | 19  |  |
| 14     | BRAZIL       | Airton Martinicorena            | 180    | 85     | 1Dan       | 28  |  |
| 15     | AUSTRALIA    | Shaune O'farrell                | 190    | 106    | 1Kyu       | 39  |  |
| 16     | CANADA       | Marcel Balan                    | 174    | 85     | 1Dan       | 37  |  |
| 17     | ISRAEL       | Alon Dagan                      | 183    | 84     | 2Dan       | 25  |  |
| 18     | BELARUS      | Ihar Markach                    | 181    | 88     | 2Dan       | 28  |  |
| 19     | RUSSIA       | Ruslan Akhmedov                 | 190    | 95     | 2Dan       | 21  |  |
| 20     | KAZAKHSTAN   | Yerbolat Kanapin                | 181    | 72     | 2Dan       | 22  |  |
| 21     | INDIA        | Arul Raj Savari Muthu           | 173    | 71     | 1Dan       | 30  |  |
| 22     | MONGOLIA     | Battushig Munkh-erdene          | 182    | 105    | 2Dan       | 31  |  |
| 23     | SOUTH AFRICA | Thamsanqa Mngomezulu            | 166    | 88     | 1Dan       | 24  |  |
| 24     | JAPAN        | Takuya Takeoka                  | 168    | 80     | 2Dan       | 25  |  |
| 25     | JAPAN        | Yuta Takahashi                  | 180    | 90     | 2Dan       | 22  |  |
| 26     | BANGLADESH   | Sohel Sultan                    | 180    | 94     | 2Kyu       | 19  |  |
| 27     | SOUTH AFRICA | Mlungisi Cele                   | 172    | 80     | 2Dan       | 30  |  |
| 28     | BRAZIL       | Joao Rocha                      | 181    | 90     | 1Dan       | 27  |  |
| 29     | USA          | Hoang Nguyen                    | 180    | 95     | 1Kyu       | 33  |  |
| 30     | RUSSIA       | Tornike Kurtsikidze             | 176    | 90     | 2Dan       | 25  |  |
| 31     | SERBIA       | Bogdan Sretenovic               | 190    | 102    | 1Kyu       | 21  |  |
| 32     | RUSSIA       | Farukh Turgunboev               | 178    | 95     | 2Dan       | 27  |  |
| 33     | FRANCE       | Lucian Gogonel                  | 177    | 79     | 4Dan       | 43  |  |
| 34     | CANADA       | Tarek Boutouis                  | 183    | 87     | 2Kyu       | 25  |  |
| 35     | NEW ZEALAND  | Thelvin Cabezas                 | 176    | 77     | 2Kyu       | 38  |  |
| 36     | SPAIN        | Alejandro Navarro               | 180    | 92     | 3Dan       | 38  |  |
| 37     | RUSSIA       | Andrey Chirkov                  | 174    | 86     | 2Dan       | 28  |  |
| 38     | GERMANY      | Daniel Bron                     | 180    | 115    | 1Kyu       | 35  |  |
| 39     | IRAN         | Mohammad Javad Behjati Ardekani | 186    | 95     | 2Dan       | 25  |  |
| 40     | SOUTH AFRICA | Xolani Gumede                   | 177    | 105    | 1Dan       | 30  |  |
| 41     | JAPAN        | Kashin Osawa                    | 176    | 81     | 1Dan       | 19  |  |
| 42     | AUSTRALIA    | Viktor Timev                    | 191    | 130    | 1Dan       | 38  |  |
| 43     | UKRAINE      | Semen Haran                     | 182    | 98     | 3Dan       | 37  |  |
| 44     | JAPAN        | Seiya Tanigawa                  | 181    | 95     | 1Dan       | 19  |  |
| 45     | ARGENTINA    | Elvis Bodach                    | 185    | 80     | 2Kyu       | 21  |  |
| 46     | GREECE       | Marios - Zisis Stefanou         | 180    | 81     | 1Dan       | 23  |  |
| 47     | URUGUAY      | Ignacio Morales                 | 180    | 85     | 1Kyu       | 27  |  |
| 48     | RUSSIA       | Kirill Kochnev                  | 190    | 86     | 1Dan       | 25  |  |

A

|    |              |                       |     |     |      |    |
|----|--------------|-----------------------|-----|-----|------|----|
| 49 | JAPAN        | Mikio Ueda            | 186 | 90  | 1Dan | 20 |
| 50 | TUNISIA      | Skander Youssfi       | 175 | 80  | 3Dan | 32 |
| 51 | KOREA        | Jung Hyun Choi        | 174 | 85  | 1Dan | 27 |
| 52 | BOLIVIA      | Eivind Echeverria     | 180 | 85  | 1Dan | 30 |
| 53 | SINGAPORE    | Rajdoot Gurung        | 174 | 82  | 2Dan | 31 |
| 54 | RUSSIA       | Dzhavid Orudzhov      | 182 | 83  | 2Kyu | 20 |
| 55 | RUSSIA       | Adlan Saltykhanov     | 181 | 75  | 1Kyu | 21 |
| 56 | AUSTRALIA    | Anthony Tockar        | 190 | 92  | 2Dan | 30 |
| 57 | SOUTH AFRICA | Keni Vardin           | 176 | 90  | 3Dan | 35 |
| 58 | GUAM         | Nathan Torres         | 170 | 76  | 2Kyu | 20 |
| 59 | BAHRAIN      | Musatafa Marhoon      | 183 | 82  | 2Dan | 24 |
| 60 | UKRAINE      | Eldar Ismailov        | 181 | 83  | 1Dan | 20 |
| 61 | FRANCE       | Guillaume Grundler    | 174 | 75  | 1Kyu | 26 |
| 62 | KUWAIT       | Salah Bahzad          | 174 | 83  | 1Kyu | 38 |
| 63 | POLAND       | Oskar Mazurkiewicz    | 176 | 79  | 1Kyu | 22 |
| 64 | ROMANIA      | Cristian Valeriu Radu | 184 | 79  | 1Dan | 28 |
| 65 | MAURITIUS    | James Kistohurry      | 177 | 90  | 2Dan | 36 |
| 66 | RUSSIA       | Aleksandr Mikhailov   | 175 | 74  | 2Dan | 27 |
| 67 | JAPAN        | Yuki Shimizu          | 172 | 73  | 1Dan | 20 |
| 68 | BELARUS      | Dzmitry Varabei       | 182 | 86  | 1Dan | 20 |
| 69 | NEW ZEALAND  | Bernie Johnson        | 174 | 77  | 1Kyu | 27 |
| 70 | SOUTH AFRICA | Kadiraven Goinden     | 167 | 67  | 1Kyu | 24 |
| 71 | MOLDOVA      | Dmitrii Tcacenco      | 180 | 80  | 1Dan | 29 |
| 72 | RUSSIA       | Ilya Karpenko         | 182 | 90  | 3Dan | 28 |
| 73 | FRANCE       | Djema Belkhodja       | 187 | 98  | 2Dan | 31 |
| 74 | SOUTH AFRICA | Siphamandla Cele      | 165 | 75  | 2Kyu | 22 |
| 75 | IRAN         | Saeid Fadakari        | 185 | 103 | 1Kyu | 27 |
| 76 | RUSSIA       | David Navoian         | 175 | 88  | 3Dan | 24 |
| 77 | ARGENTINA    | Luciano Sereno        | 179 | 75  | 1Kyu | 19 |
| 78 | JAPAN        | Yuko Harada           | 165 | 77  | 1Dan | 25 |
| 79 | AUSTRALIA    | Steven Cujic          | 183 | 96  | 3Dan | 30 |
| 80 | SPAIN        | Francisco Zapata      | 170 | 79  | 1Kyu | 35 |
| 81 | CHILE        | Renato Preuss         | 177 | 88  | 2Dan | 39 |
| 82 | BULGARIA     | Kiril Boev            | 183 | 84  | 2Dan | 26 |
| 83 | CHINA        | Wei Feng Xu           | 170 | 75  | 3Dan | 32 |
| 84 | RUSSIA       | Igor Titkov           | 173 | 82  | 3Dan | 32 |
| 85 | RUSSIA       | Vladislav Ekimov      | 185 | 85  | 1Dan | 24 |
| 86 | BRAZIL       | Diogo Silva           | 182 | 90  | 1Dan | 35 |
| 87 | ROMANIA      | Eduard Ingeaua        | 183 | 85  | 1Dan | 23 |
| 88 | CANADA       | Mike Mcdougall        | 182 | 81  | 1Dan | 30 |
| 89 | LEBANON      | Hassan Islim          | 175 | 75  | 1Dan | 27 |
| 90 | POLAND       | Daniel Bukowy         | 182 | 87  | 1Dan | 29 |
| 91 | RUSSIA       | Konstantin Kovalenko  | 182 | 100 | 2Kyu | 20 |
| 92 | SOUTH AFRICA | Bonginkosi Mayaba     | 160 | 85  | 2Dan | 30 |
| 93 | NEW ZEALAND  | Tom Wilson            | 183 | 85  | 2Kyu | 32 |
| 94 | ITALY        | Giuseppe Mancuso      | 170 | 80  | 2Dan | 32 |
| 95 | PHILIPPINES  | Bryan Dizon           | 175 | 75  | 1Dan | 30 |
| 96 | JAPAN        | Shohei Kamada         | 186 | 97  | 2Dan | 28 |



|     |              |                             |     |     |      |    |
|-----|--------------|-----------------------------|-----|-----|------|----|
| 97  | JAPAN        | Zenjyuro Mori               | 173 | 84  | 2Dan | 30 |
| 98  | KUWAIT       | Musab Al Hssawy             | 171 | 69  | 1Dan | 37 |
| 99  | GERMANY      | Daniel Gerl                 | 188 | 87  | 2Kyu | 19 |
| 100 | NEW ZEALAND  | Shingo Tamura               | 181 | 95  | 2Dan | 35 |
| 101 | BOLIVIA      | Marco Gutierrez             | 170 | 72  | 1Kyu | 34 |
| 102 | ROMANIA      | Nicolae Stoian              | 178 | 88  | 3Dan | 37 |
| 103 | FRANCE       | Antonio Tusseau             | 184 | 83  | 1Dan | 24 |
| 104 | CANADA       | Mohamed Chikh               | 184 | 85  | 2Dan | 22 |
| 105 | UKRAINE      | Dmytro Prasolov             | 176 | 82  | 4Dan | 39 |
| 106 | IRAN         | Mousa Bagheri               | 170 | 83  | 2Dan | 32 |
| 107 | CHINA        | Xiao Lei Wang               | 182 | 76  | 2Dan | 37 |
| 108 | RUSSIA       | Lasha Gabaraev              | 174 | 82  | 2Dan | 25 |
| 109 | BULGARIA     | Zahari Damyranov            | 182 | 100 | 2Dan | 30 |
| 110 | BRAZIL       | Wagner Xavier               | 170 | 79  | 2Dan | 36 |
| 111 | POLAND       | Marcin Dabrowski            | 182 | 87  | 1Dan | 24 |
| 112 | RUSSIA       | Ivan Sedykh                 | 193 | 103 | 1Dan | 23 |
| 113 | SPAIN        | Santi Garcia                | 180 | 75  | 1Dan | 32 |
| 114 | NEW ZEALAND  | Chaynne Mikaera             | 186 | 82  | 1Dan | 21 |
| 115 | RUSSIA       | Magomed Mitsaev             | 180 | 87  | 2Dan | 34 |
| 116 | AUSTRALIA    | Nathan Goodin               | 183 | 86  | 2Kyu | 29 |
| 117 | COLUMBIA     | Miguel Rodriguez            | 185 | 90  | 1Kyu | 26 |
| 118 | USA          | Showta Moriyama             | 162 | 78  | 1Dan | 18 |
| 119 | SOUTH AFRICA | Zamani Lubanyana            | 154 | 63  | 1Dan | 26 |
| 120 | JAPAN        | Takaichi Onuma              | 164 | 70  | 1Dan | 30 |
| 121 | JAPAN        | Yuta Sawamura               | 171 | 76  | 2Dan | 27 |
| 122 | INDIA        | Kizhakkedathu Mohanan Sanal | 176 | 81  | 2Kyu | 27 |
| 123 | CANADA       | Mark Berg                   | 185 | 99  | 1Dan | 27 |
| 124 | NEW ZEALAND  | Josh Struthers              | 179 | 94  | 2Kyu | 21 |
| 125 | KOREA        | Dae Yoo Kim                 | 181 | 93  | 1Kyu | 30 |
| 126 | POLAND       | Marcin Lawinski             | 184 | 95  | 2Dan | 32 |
| 127 | RUSSIA       | Valerii Ryzhov              | 190 | 90  | 1Dan | 29 |
| 128 | AUSTRALIA    | Jesse Connolly              | 187 | 90  | 1Dan | 23 |
| 129 | SOUTH AFRICA | Monde Patsha                | 172 | 82  | 2Dan | 26 |
| 130 | IRAN         | Amin Azimi                  | 184 | 94  | 3Dan | 33 |
| 131 | ARGENTINA    | Gabriel Zuleta              | 180 | 80  | 1Dan | 27 |
| 132 | RUSSIA       | Sergei Uvitckii             | 176 | 95  | 3Dan | 34 |
| 133 | RUSSIA       | Ivan Mezentsev              | 184 | 82  | 1Dan | 21 |
| 134 | ROMANIA      | Catalin Mihai Mocanu        | 185 | 80  | 1Dan | 21 |
| 135 | BELARUS      | Maksim Maksimau             | 179 | 93  | 1Dan | 28 |
| 136 | FRANCE       | Maxime Demeautis            | 186 | 92  | 1Dan | 29 |
| 137 | ISRAEL       | Matan Eliakim               | 175 | 89  | 1Dan | 26 |
| 138 | JAPAN        | Tatsuma Yamagawa            | 186 | 97  | 1Dan | 21 |
| 139 | RUSSIA       | Andrei Kolosov              | 180 | 85  | 1Dan | 19 |
| 140 | BRAZIL       | Ricardo Prada               | 180 | 91  | 2Dan | 36 |
| 141 | SOUTH AFRICA | Jason Dawes                 | 186 | 105 | 5Dan | 38 |
| 142 | LEBANON      | Mohamad Eid Ghorabi         | 174 | 82  | 1Dan | 29 |
| 143 | KAZAKHSTAN   | Daniyar Alimussinov         | 168 | 75  | 1Dan | 20 |
| 144 | UKRAINE      | Oleksandr Ieromenko         | 180 | 92  | 2Dan | 27 |



|     |               |                            |     |     |      |    |  |
|-----|---------------|----------------------------|-----|-----|------|----|--|
| 145 | JAPAN         | Kyohei Ajima               | 171 | 88  | 2Dan | 26 |  |
| 146 | SOUTH AFRICA  | Lwazi Finca                | 166 | 83  | 3Dan | 27 |  |
| 147 | CHINA         | Xia Biao Zhang             | 173 | 73  | 2Dan | 26 |  |
| 148 | NEW CALEDONIA | Normann Bogey              | 178 | 72  | 1Kyu | 21 |  |
| 149 | BULGARIA      | Stanimir Kondov            | 186 | 92  | 2Kyu | 33 |  |
| 150 | RUSSIA        | Alim Iunusov               | 175 | 74  | 2Dan | 30 |  |
| 151 | JAPAN         | Yota Higuchi               | 173 | 88  | 2Dan | 30 |  |
| 152 | CANADA        | Simon Deguire              | 185 | 81  | 2Dan | 20 |  |
| 153 | BRAZIL        | Ricardo Nunes              | 165 | 78  | 1Kyu | 32 |  |
| 154 | ROMANIA       | Florentin Chiripuci        | 168 | 66  | 1Dan | 22 |  |
| 155 | MONGOLIA      | Otgonbaatar Nergui         | 175 | 69  | 1Dan | 28 |  |
| 156 | RUSSIA        | Ashot Zarinyan             | 170 | 75  | 2Dan | 20 |  |
| 157 | JAPAN         | Kenta Nanbara              | 186 | 94  | 1Dan | 17 |  |
| 158 | SWITZERLAND   | Helder Adao Cerqueira      | 180 | 80  | 1Kyu | 33 |  |
| 159 | SERBIA        | Vanja Konvalinka           | 178 | 78  | 1Dan | 21 |  |
| 160 | POLAND        | Wojciech Zmija             | 180 | 94  | 2Dan | 40 |  |
| 161 | NEW ZEALAND   | Tyran Whyte                | 190 | 80  | 1Dan | 18 |  |
| 162 | RUSSIA        | Aleksei Galiev             | 180 | 80  | 1Dan | 20 |  |
| 163 | RUSSIA        | Iaroslav Stanislavenko     | 187 | 110 | 1Dan | 24 |  |
| 164 | IRAN          | Seyed Mohsen Tavafian Yazd | 184 | 95  | 1Dan | 27 |  |
| 165 | SEYCHELLES    | Luigi Adrienne             | 173 | 91  | 2Dan | 25 |  |
| 166 | AUSTRALIA     | David Tockar               | 181 | 83  | 1Dan | 23 |  |
| 167 | ALGERIA       | Haddadi Ahcene             | 177 | 86  | 1Kyu | 32 |  |
| 168 | SPAIN         | Albert Reyes               | 176 | 70  | 1Kyu | 22 |  |
| 169 | JAPAN         | Masanaga Nakamura          | 168 | 83  | 4Dan | 31 |  |
| 170 | GERMANY       | Alireza Shams              | 182 | 80  | 2Dan | 28 |  |
| 171 | SOUTH AFRICA  | Belle-vie Botunga          | 177 | 90  | 2Dan | 36 |  |
| 172 | CANADA        | Pavlo Mykhaylov            | 183 | 89  | 1Kyu | 22 |  |
| 173 | BELARUS       | Kiryl Halkin               | 187 | 86  | 2Kyu | 32 |  |
| 174 | RUSSIA        | David Sarkhoshyan          | 193 | 98  | 1Kyu | 20 |  |
| 175 | GREAT BRITAIN | Grzegorz Kedzierski        | 178 | 70  | 2Kyu | 18 |  |
| 176 | AUSTRALIA     | Reece Henderson            | 174 | 89  | 1Dan | 23 |  |
| 177 | BRAZIL        | Eder Gama                  | 175 | 84  | 1Kyu | 33 |  |
| 178 | ITALY         | Giuseppe Sturiale          | 186 | 98  | 2Dan | 33 |  |
| 179 | SCOTLAND      | Eamon Cramb                | 180 | 82  | 1Kyu | 23 |  |
| 180 | RUSSIA        | Goderzi Kapanadze          | 182 | 82  | 3Dan | 29 |  |
| 181 | JAPAN         | Satoru Araki               | 177 | 90  | 1Dan | 30 |  |
| 182 | NEW ZEALAND   | Robert Struthers           | 182 | 73  | 1Kyu | 30 |  |
| 183 | CHILE         | Patricio Barrera           | 173 | 93  | 1Kyu | 36 |  |
| 184 | HUNGARY       | David Orosz                | 194 | 90  | 1Dan | 25 |  |
| 185 | USA           | Sota Nakano                | 175 | 80  | 1Dan | 30 |  |
| 186 | RUSSIA        | Kazbek Abastov             | 176 | 85  | 2Kyu | 20 |  |
| 187 | FRANCE        | Ali Zeghabab               | 193 | 110 | 2Kyu | 25 |  |
| 188 | ARGENTINA     | Emiliano Dominguez         | 168 | 79  | 1Dan | 28 |  |
| 189 | POLAND        | Patryk Sypien              | 185 | 90  | 1Dan | 25 |  |
| 190 | BANGLADESH    | Rezwanur Rahman            | 175 | 85  | 1Dan | 27 |  |
| 191 | SOUTH AFRICA  | Thabani Mndebela           | 192 | 110 | 2Kyu | 28 |  |
| 192 | RUSSIA        | Darmen Sadvokasov          | 180 | 88  | 3Dan | 32 |  |